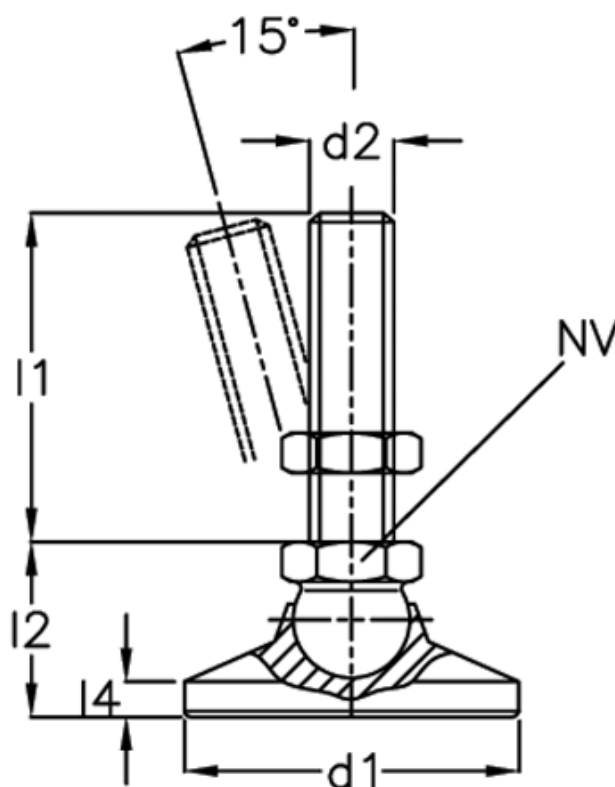


Article number: 20343660M1263KSE

Description: E+G levelling foot  
GN 343.6-60-M12-63-KSE

## Measures



A/F	= 17
d1	= 60
d2	= 12
l1	= 63
l2	= -
l4	= -
Static load (N)	= 16
Weight in (g)	= 440